

Interface PCB

Accessory Connector

PROCESSOR 252 SHEET 4 DSP AUDIO

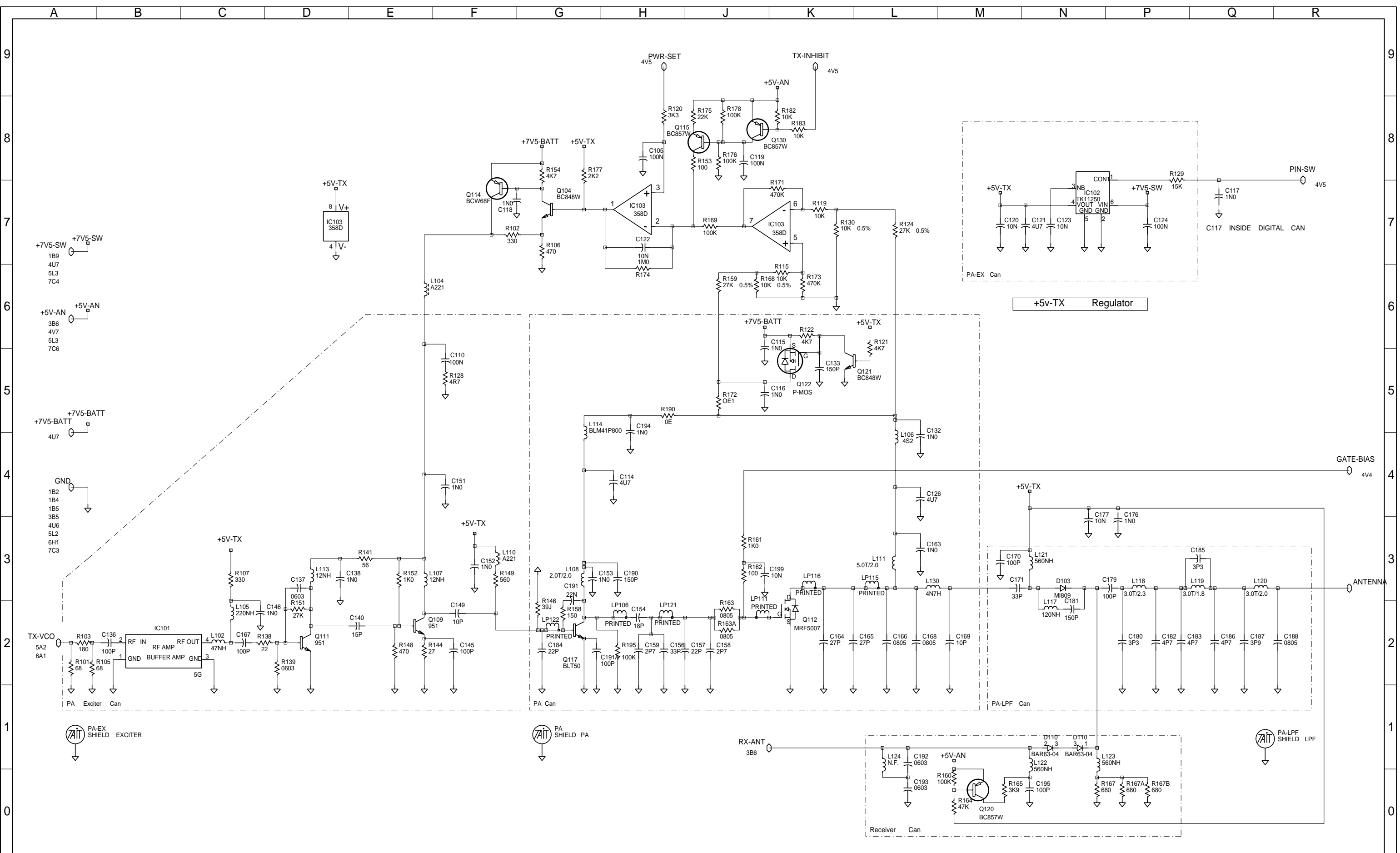


05	MOREUPDATES	DBH				
04	UPDATED AND MOVED AERIAL SOCKET	MAJ				
03 B	UPDATED VALUES ADDED CANS TO PLA	MAJ				
REV/ISS	AMENDMENTS	DRAWN	CHKD	D.O.	APVD	DATE

© TAIT ELECTRONICS

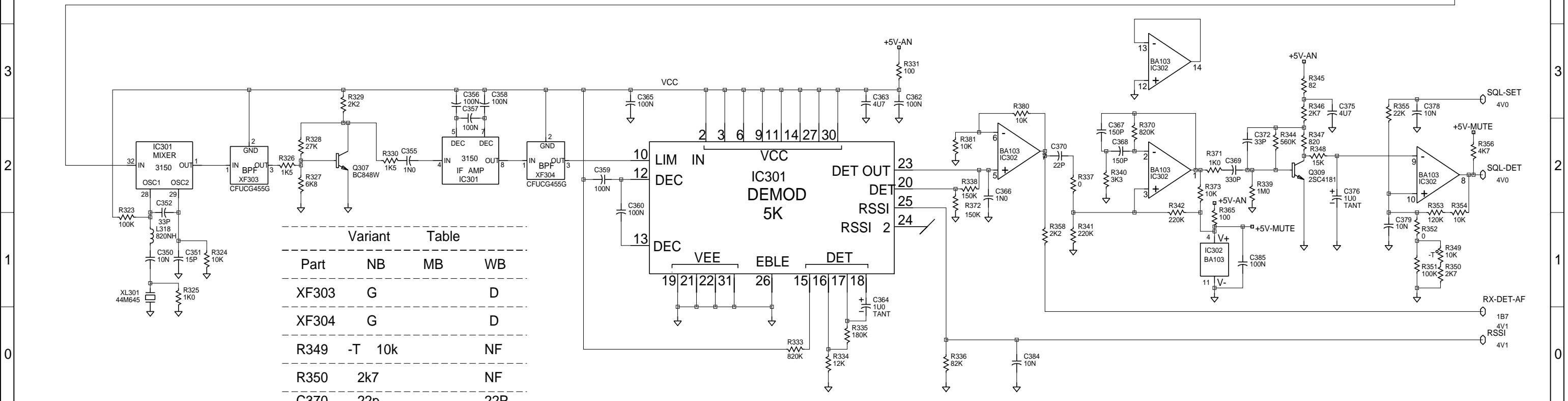
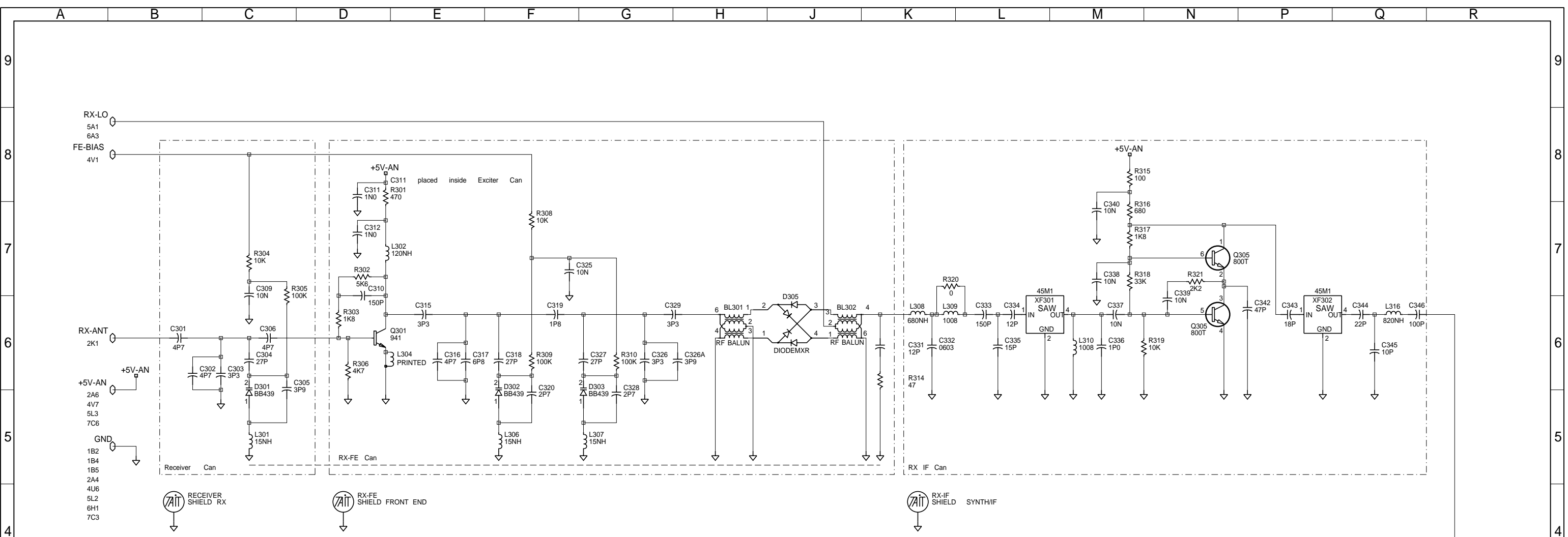
ORCA :TP010-5122 400-440MHZ
SYSTEM DIAGRAM

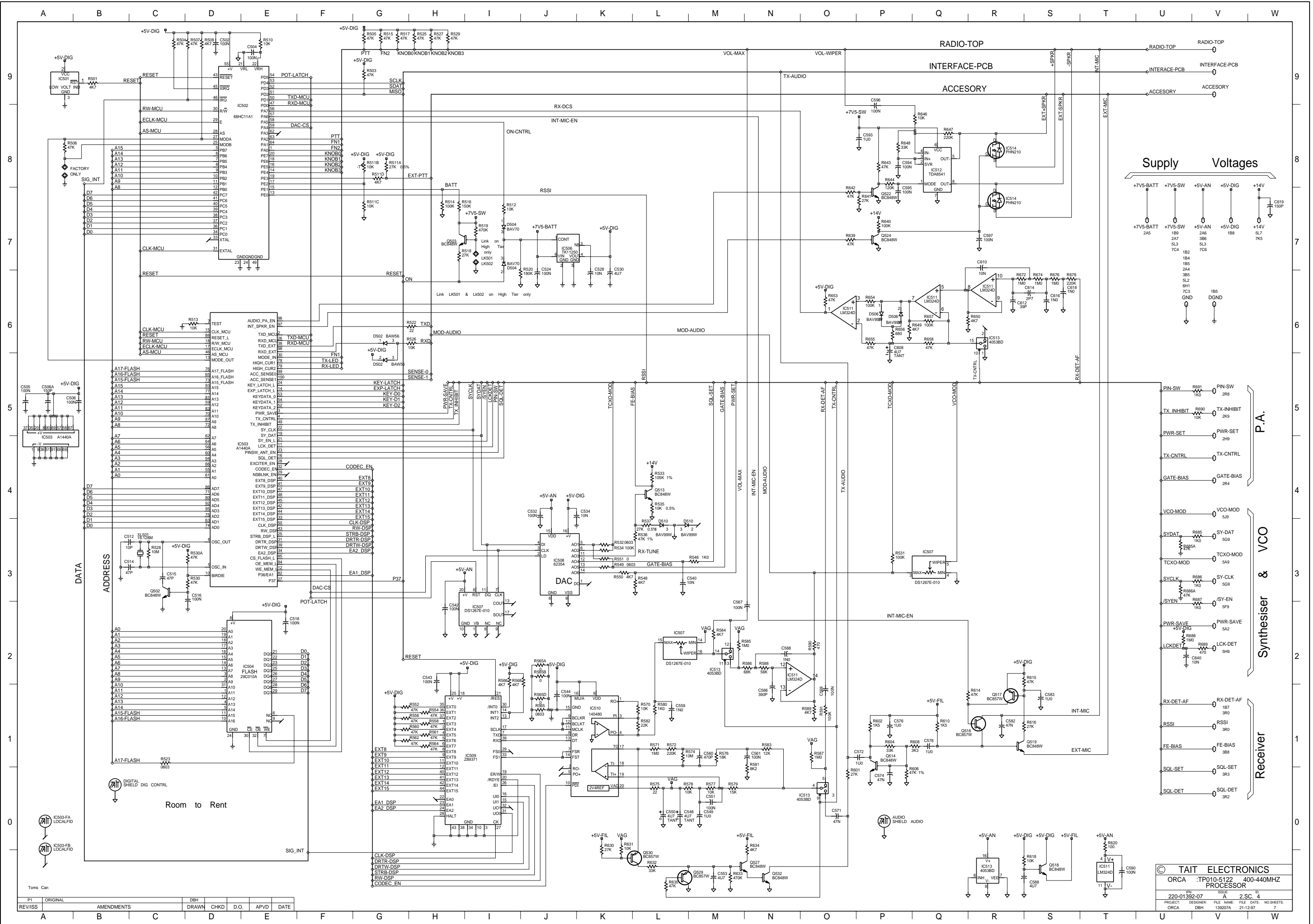
IPN: 220-01392-07	ISSUE: A	ID: 2.S.C. 1
PROJECT: ORCA	DESIGNER: DBH	FILE NAME: 139207A
FILE DATE: 21-12-97	NO. SHEETS: 7	



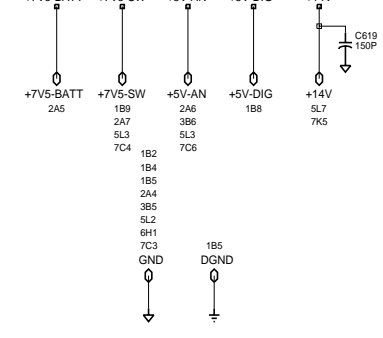
TAIT ELECTRONICS	
ORCA :TP010-5122 400-440MHZ POWER AMPLIFIER	
IPN: 220-01392-07	ISSUE: A 2.S.C. 2
PROJECT: ORCA	DESIGNER: DBH
FILE NAME: 139207A	FILE DATE: 21-12-97
NO. SHEETS: 7	

REV/ISS	AMENDMENTS	DRAWN	CHKD	D.O.	APVD	DATE
A						





Supply Voltages

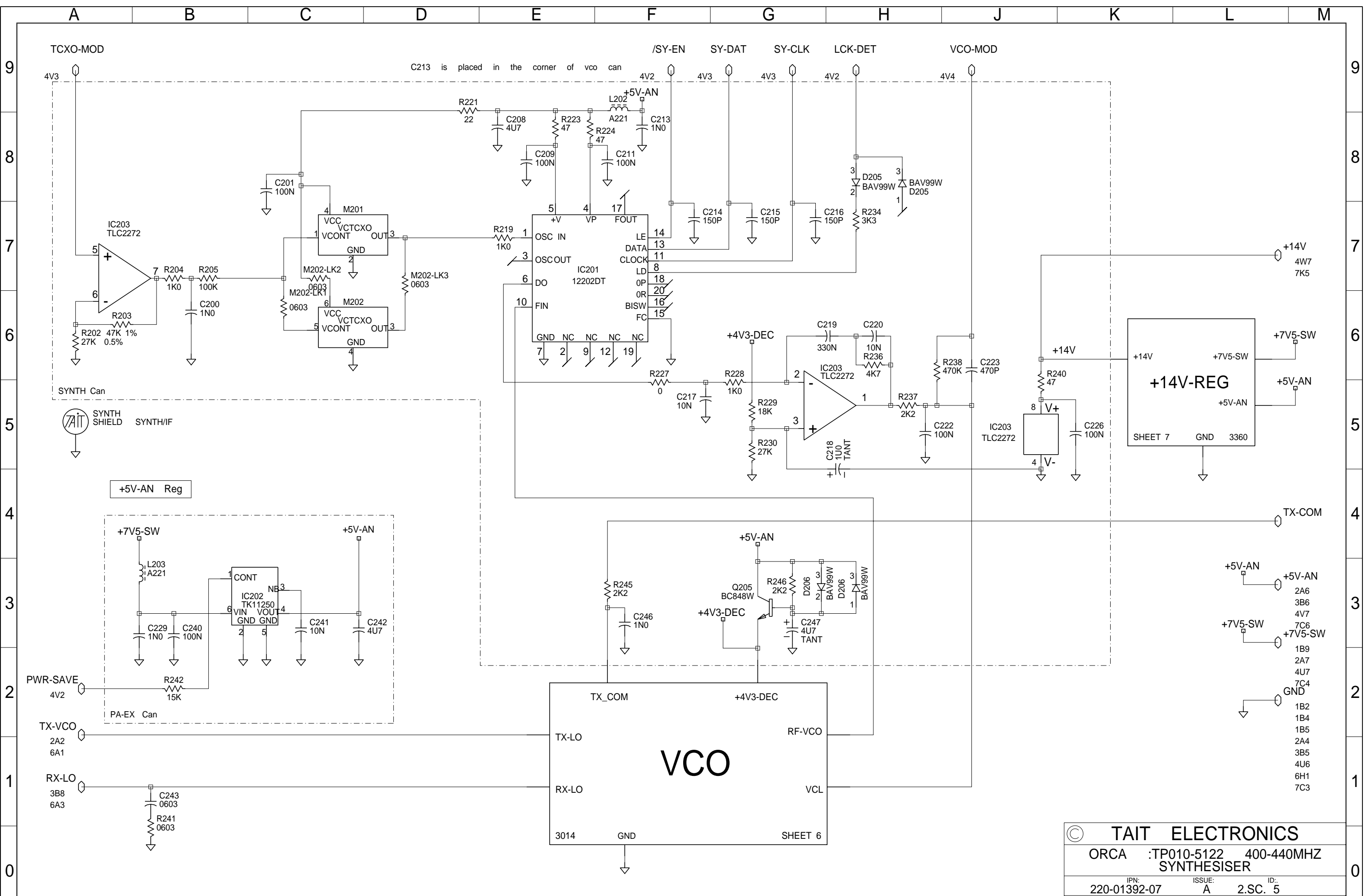


- PIN-SW 28R
- TX-INHIBIT 28R
- PWR-SET 28R
- TX-CNTRL 28R
- GATE-BIAS 28R
- VCO-MOD 510
- SY-DAT 509
- TCXO-MOD 549
- SY-CLK 509
- SY-EN 509
- PWR-SAVE 542
- LCK-DET 549
- RX-DET-AF 380
- RSSI 380
- FE-BIAS 388
- SOL-SET 382
- SOL-DET 382

© TAIT ELECTRONICS
 ORCA :TP010-5122 400-440MHZ
 PROCESSOR
 220-01392-07 2 SC. 4
 PROJECT DESIGNER FILE NAME FILE DATE NO SHEETS
 ORCA DBH 138207A 21-12-97 7

REV/ISS	ORIGINAL	AMENDMENTS	DRAWN	CHKD	D.O.	APV/D	DATE
P1							

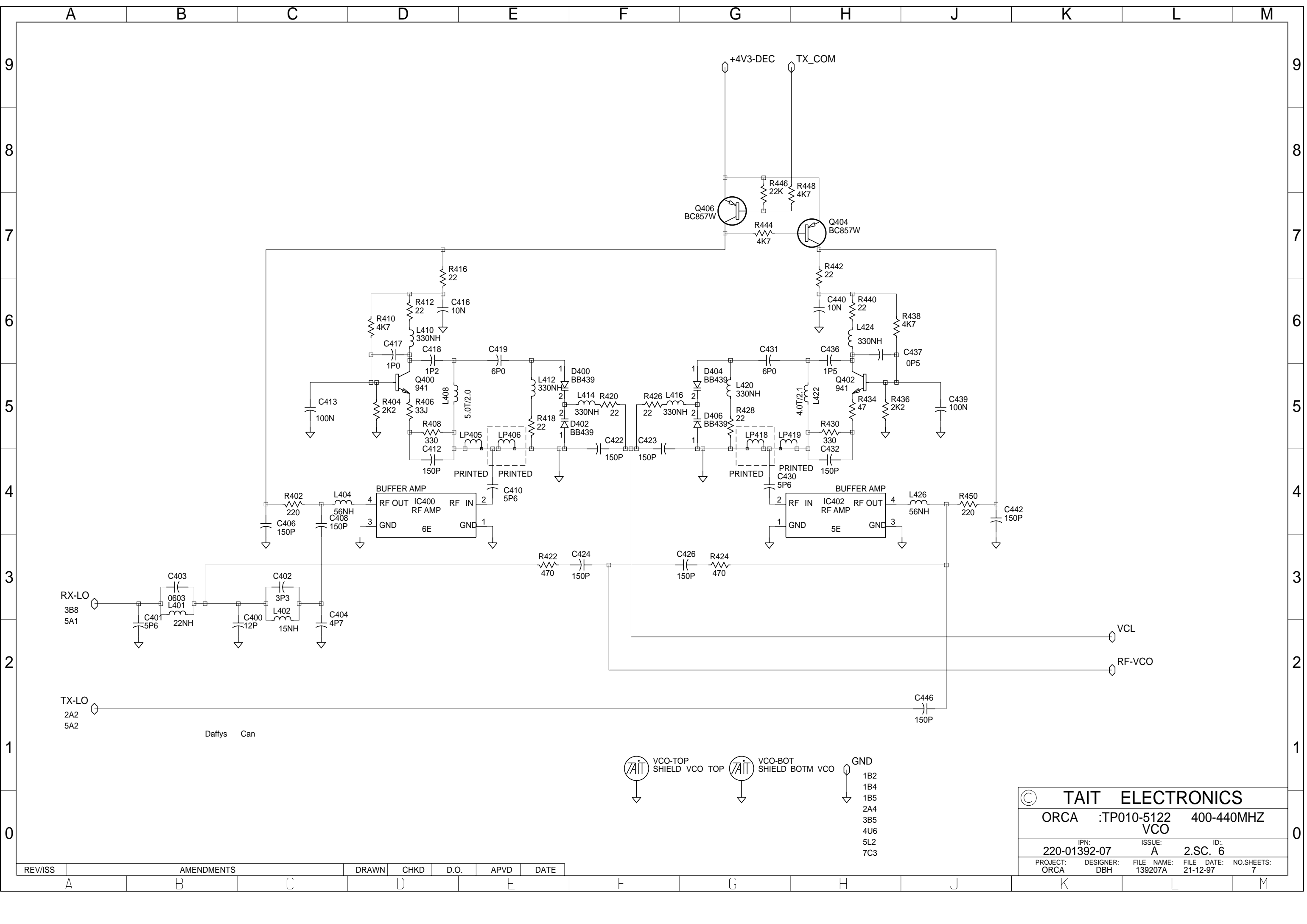
Toms Can



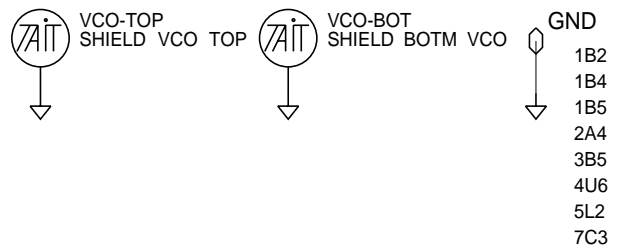
© TAIT ELECTRONICS
 ORCA :TP010-5122 400-440MHZ SYNTHESISER
 IPN: 220-01392-07 ISSUE: A ID: 2.SC. 5
 PROJECT: ORCA DESIGNER: DBH FILE NAME: 139207A FILE DATE: 21-12-97 NO.SHEETS: 7

REV/ISS	AMENDMENTS	DRAWN	CHKD	D.O.	APVD	DATE

- +5V-AN 2A6
- +5V-AN 3B6
- 4V7 4V7
- +7V5-SW 7C6
- +7V5-SW 1B9
- 2A7 2A7
- 4U7 4U7
- 7C4 7C4
- GND 1B2
- 1B4 1B4
- 1B5 1B5
- 2A4 2A4
- 3B5 3B5
- 4U6 4U6
- 6H1 6H1
- 7C3 7C3

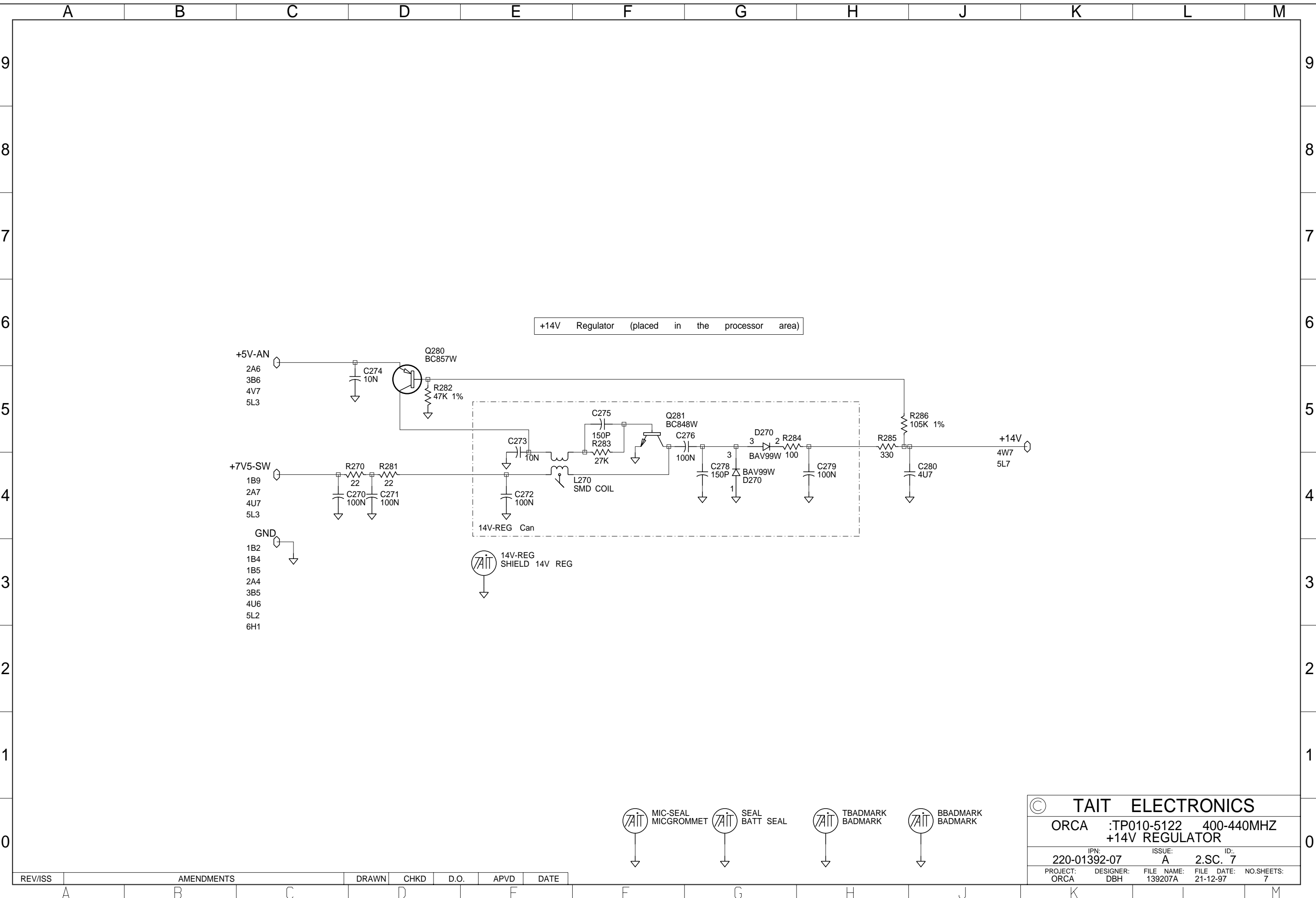






Daffys Can



© TAIT ELECTRONICS				
ORCA	:TP010-5122	400-440MHZ	VCO	
IPN:	ISSUE:	A	ID:	6
220-01392-07	2.SC.	6		
PROJECT:	DESIGNER:	FILE NAME:	FILE DATE:	NO.SHEETS:
ORCA	DBH	139207A	21-12-97	7

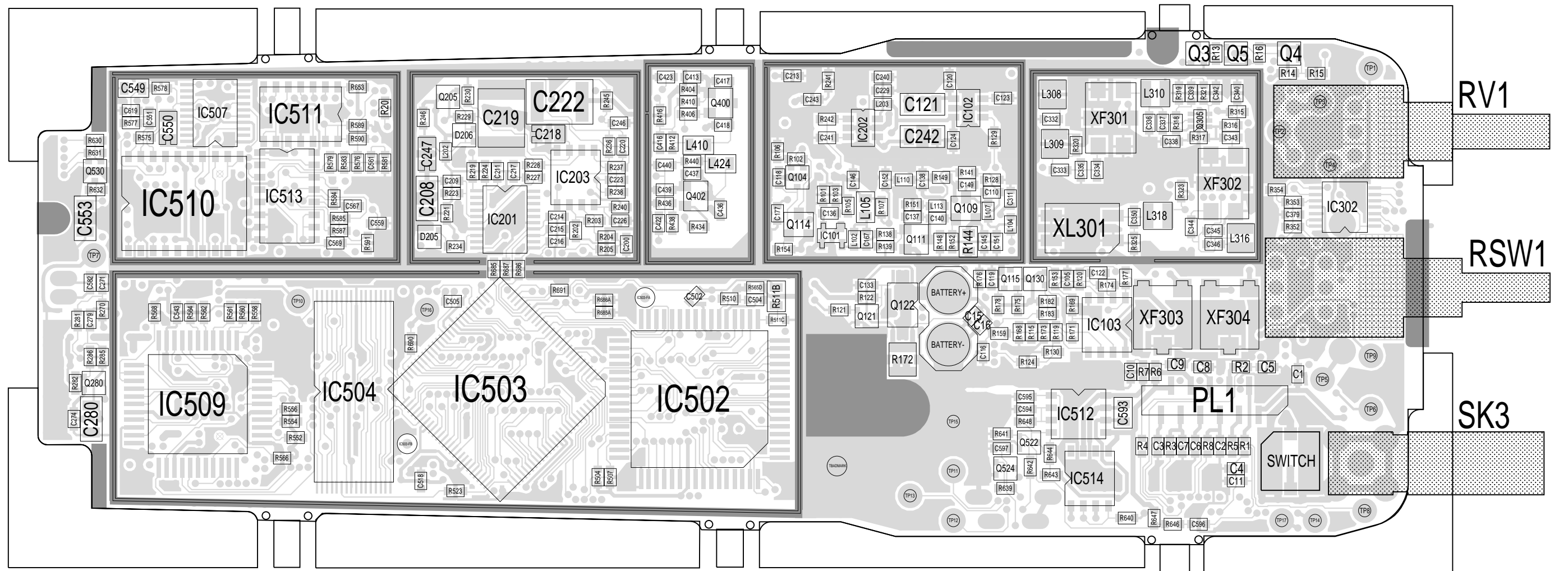
REV/ISS	AMENDMENTS	DRAWN	CHKD	D.O.	APVD	DATE



 MIC-SEAL MICGROMMET
 SEAL BATT SEAL
 TBADMARK BADMARK
 BBADMARK BADMARK

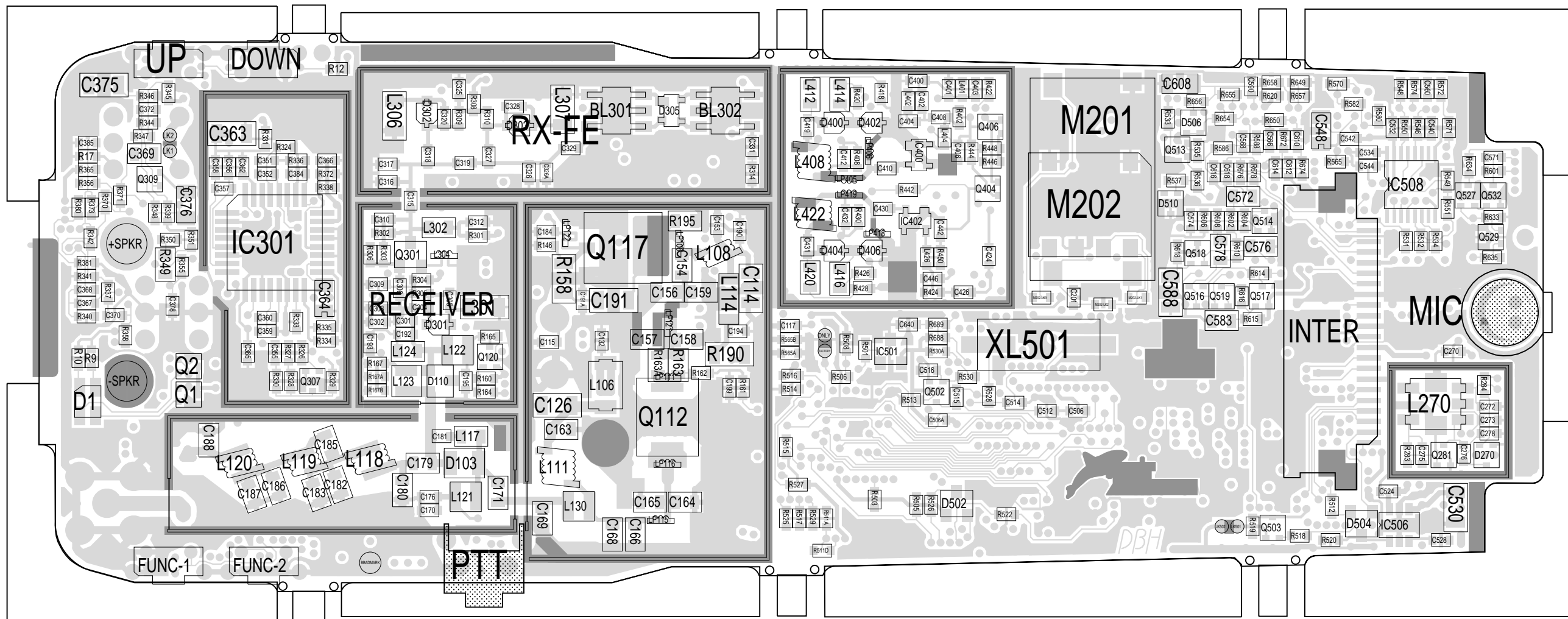
© TAIT ELECTRONICS				
ORCA		:TP010-5122		400-440MHZ
+14V REGULATOR				
IPN:		ISSUE:		ID:
220-01392-07		A		2.SC. 7
PROJECT:	DESIGNER:	FILE NAME:	FILE DATE:	NO.SHEETS:
ORCA	DBH	139207A	21-12-97	7

REV/ISS	AMENDMENTS		DRAWN	CHKD	D.O.	APVD	DATE
---------	------------	--	-------	------	------	------	------



TAIT ELECTRONICS	IPN: 220-01392-07	ISS: -07A	ID: 1.TA	DATE: 5 Jan 1998
ORCA UHF PCB LAYOUT - TOP SIDE				

Scale: 2.3:1 ; Rotation: 0 degrees



TAIT ELECTRONICS IPN: 220-01392-07 ISS: -07A ID: 6.BA DATE: 5 Jan 1998
 ORCA UHF PCB LAYOUT - BOTTOM SIDE